

**TECHNICAL SPECS: GC S1000-OC**  
**STAND ALONE UV-C AIR DISINFECTION SYSTEM WITH HEAVY CANNABIS ODOR CONTROL**  
**FOR GROWING FACILITIES**

**Description**

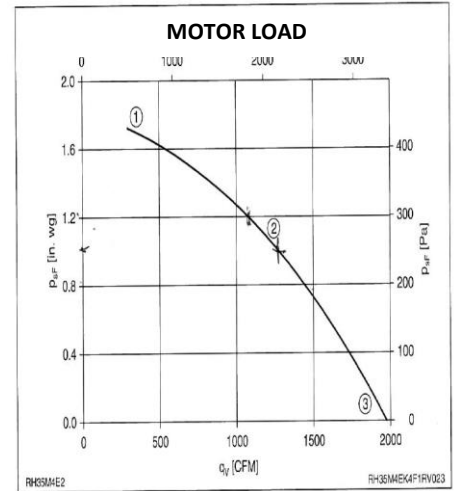
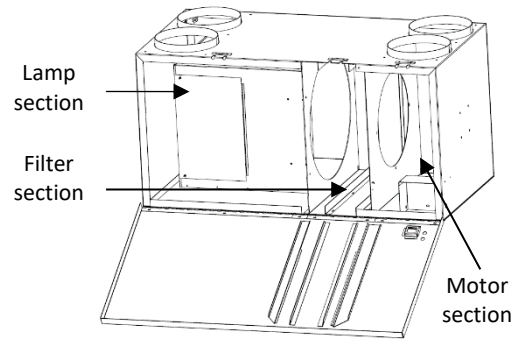
The GC S1000-OC is a combination of high-intensity UV-C and filtration air disinfection system combined with a powerful 1000 cfm fan motor. The unit is designed to destroy the harmful biological contaminants found within a Cannabis grow facility, such as Powdery Mildew, Botrytis, Gray Mold, Downey Mildew, bacteria and other associated airborne contaminants that can be harmful to the plants and terpenes. It is also equipped with a proprietary 4" GAS PHASE filter for heavy cannabis odor control within cultivation rooms.

**Unit/Standard Equipment part number GC S1000-OC**

- ROSENBERG backward impeller: 115V (MSCMTR9), 230V (MSCMTR10)
- AXIAL motor, so the unit could be position upright or sideway
- Motor only : 402 watt, 3.35-amp (120V), 1.75-amp (230V)
  
- Aluminum casing, textured paint, 68 lbs (30.8 kg)
- Dimension 20" x 20" x 40" (50.8 cm x 50.8 cm x 101.6 cm)
- Whole unit: 750 watts
- Two round exhaust 8", two round intakes 8" with collars
- 1 access door for the motor and filters, 1 for the lamp reflector
- Cut off switch on door access
- 6' – 120 VAC 3 prong cord
- Noise level 70 dBA at 5ft
- Aluminum reflection chamber for UV lamps with easy access to change lamp
- 4 suspension rods insert on horizontal, 4 on vertical
- 4 x "J" lamps (part MPHJ160)
- 1 prefilter 2" x 20" x 20" (part MSCFTR17)
- 1 proprietary GAS PHASE filter (part MSCFTROC4) 4" x 20" x 20"
- 4 high-intensity ballast – part BST120/277SHS
- 4 uninsulated flex ducting 12.5 ft each

**Warranty**

- Ballast: 3 years, motor: 1 year, lamp: 2 years



<b>QTY:</b>	
<b>PROJECT:</b>	
<b>LOCATION:</b>	
<b>ARCHITECT:</b>	
<b>ENGINEER:</b>	
<b>CONTRACTOR:</b>	
<b>DATE:</b>	
<b>NOTES:</b>	

**Drawings for:**  
 information    approval

