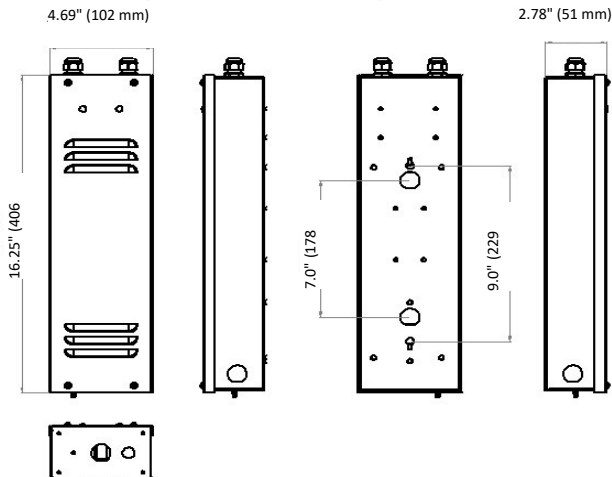


UVV ODORWALL- for exhaust odors

	OW18-X	OW24-X	OW30-X	OW40-X	OW50-X	OW60-G
SHIP Dim. /weight (bulk)						
1 unit boxed- ballast & lamp assembly	8"x 9"x 35" (203 x 228 x 889mm)			8"x 9"x 71" (203 x 228 x 1803 mm)		
	20 lbs (9.0kg)			20 lbs (9.0kg)		
2 units boxed - ballast & lamp assembly	8"x 9"x 35" (203 x 228 x 889mm)			8"x 9"x 71" (203 x 228 x 1803 mm)		
	28 lbs (12.7kg)			28 lbs (12.7kg)		
Electrical						
	OW18-X	OW24-X	OW30-X	OW40-X	OW50-X	OW60-G
Power	44W	54W	65W	94W	121W	151W
Voltage	120/240 VAC, 60 Hz, single phase					
Starting	hardwire					
Dry contacts for BMS	yes					
Construction						
Parabolic reflector	none					
Ballast box	aluminum					
Cable (4 wires)	20ft-teflon coated					
Hardware	2 Stainless clamps					
LED visual	ON/OFF					
LED 2yr change lamp	yes					
Post & flanges	ordered separately (see parts below)					
UV lamps						
Type	High intensity 3/4 " (19mm) T6					
Wavelength	185 nm and 254 nm					
Internal Lumina coating	prevent solarization					
Length	18"(457mm)	24"(610mm)	30"(762mm)	40"(1016mm)	50"(1270mm)	60"(1524mm)
Warranty						
Ballasts	15 years					
Lamps	9 000 hrs or 1 yr, first occurrence					
Electronic	1 year					
Parts						
Ballast	BST120/277SHS					
UVV Lamp	LMPHXS180	LMPHXS240	LMPHXS300	LMPHXS400	LMPHXS500	LMPHXS600
Post 3/4x66" optional	TUBAA66					
Flanges (1) optional	SUBKITFLG					

**BALLAST BOX
(SINGLE or DOUBLE)**



LAMP & CLAMPS

