

TECHNICAL SPECS: UV GREEN CLEAN S1000-G4
HIGH CAPACITY STAND ALONE UV/FILTER AIR DISINFECTION SYSTEM
FOR CANNABIS GROW FACILITIES

Description

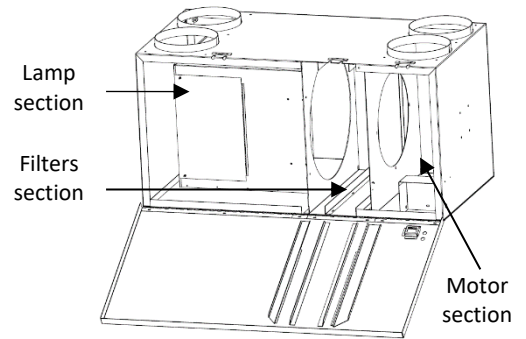
The UV GREEN CLEAN S1000-G4 is a combination high intensity UVC and Filtration Air Disinfection system combined with a powerful 1,750 cfm fan motor. The unit is designed to destroy the harmful biological contaminants found within a Cannabis grow facility such as Powdery Mildew, Botrytis, Gray Mold, Downey Mildew, Bacteria and other associated airborne contaminants that can be harmful to the plants and terpenes. The GCS1000-G4 is designed to be used as a stand-alone system to prevent the outbreak of Powdery Mildew, and to allow the grower the most consistent product through the removal of all airborne pathogens.

Unit/Standard Equipment part number GCS1000-G4

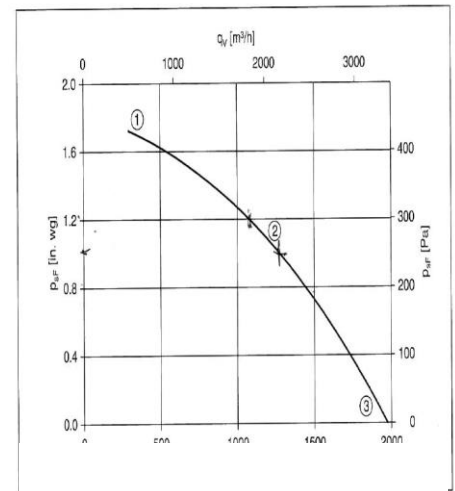
- ROSENBERG backward impeller: 115v (MSCMTR9), 230v (MSCMTR10)
- AXIAL motor, so the unit could be position upright or sideway
- Motor only -402 watt, 3.35-amp (120v), 1.75-amp (230v)
- 1750 CFM (no load)
- Aluminum casing, textured paint, 68 lbs (30.8 KG)
- Dimension 20" x 20" x 40" (50.8cm X 50.8cm X 101.6 cm)
- Whole unit: Fused 10 amps, 715 watts 5.95-amp (120v) 3.1-amp (230v)
- Two round exhaust 8', two round intakes 8" with collars
- 1 access door for the motor & the filters, 1 for the lamp's reflector
- Cut off switch on door access
- 6' – 120v 3 prong cord
- 1000 CFM under load, 70db at 5ft
- Aluminum reflection chamber for UV lamps with easy access to change lamp
- 4 suspension rods insert on horizontal, 4 on vertical
- 4 "J" Lamp 16 inches (partLMPHGJ160) with 28 in each of germicidal UVC
- 1 pleated pre-filters 2" x 20" x 20" MERV 7 (part no. MSCFTR2)
- 1 pleated MERV 15 filter (part no. MSCFTR1) 4" x 20" x 20"
- 4 Hi-intensity ballast – 120v (part no. BST120W5), 230v (part no. BST230W5)
- 4 uninsulated flex ducting 12.5 ft each

Warranty

- ballast :3 years, motor :1 year, lamp : 2 years



MOTOR LOAD



QTY:	
PROJECT:	
LOCATION:	
ARCHITECT:	
ENGINEER:	
CONTRACTOR:	
DATE:	
NOTES:	

Drawings for:
 information approval

