

SANUVOX

INSTALLATION, MAINTENANCE & OPERATION GUIDE

MODEL GC S300-G2 STAND ALONE UVC / HEPA AIR PURIFIER



SANUVOX

CAUTION

DO NOT OPERATE IN A CONFINED SPACE. ALWAYS OPERATE IN A WELL-VENTILATED AREA.

ATTENTION

DO NOT REMOVE THE HEPA FILTER OR UV TREATMENT SYSTEM. ONLY QUALIFIED PERSONNEL SHOULD SERVICE THIS UNIT.

GC S300-G2

HEPA FILTER / UV AIR TREATMENT SYSTEM
FILTRATION HEPA / SYSTEME DE TRAITEMENT D'AIR AUX UV

BALLAST ON

UV ON



HEPA FILTER / UV AIR TREATMENT SYSTEM

FILTRATION HEPA / SYSTEME DE TRAITEMENT D'AIR AUX UV



HEPA FILTER / UV AIR TREATMENT SYSTEM

FILTRATION HEPA / SYSTEME DE TRAITEMENT D'AIR AUX UV

SAFETY PRECAUTIONS

Installation and servicing our equipment can be hazardous. Only trained and qualified service personnel should install, repair, or service equipment.

Untrained personnel can perform basic maintenance functions such as changing lamps and filters. All other operations should be performed by trained service personnel. When working on equipment, observe precautions in the literature, tags and labels attached to the unit or accessory, and other safety precautions that may apply.

Follow all safety codes. Wear safety glasses and work gloves.

WARNING

Before installing the GC S300-G2 Purifier or performing maintenance or service on the air purifier, disconnect power cord from the unit.

Never expose eyes or skin to ultra-violet light from any source. The GC S300-G2 must be unplugged before performing maintenance or service. Personal injury may result.

Do not touch lamp glass without gloves. Reduced performance of lamp may result. Clean lamp after handling.

Lamp contains a small quantity of mercury. If a lamp breaks, clean and dispose of with care.

Use only specified replacement Lamps with your Sanuvox Purifier. Use of an incorrect Lamp can result in damage to the Purifier and/or Lamp.

UV rays may destroy certain types of filters (polymer or plastic), please keep unit away from shining directly on plastic.

NOTICE

UV lamp can be disposed/recycled after use as any other fluorescent bulb.

SANUVOX

INSTALLATION GUIDE

LIMITED PARTS WARRANTY WARRANTY

This Sanuvox Technologies Inc. product is warranted to be free from defects in material and workmanship under normal use and maintenance for a period of 3 years from the date of original installation and for a period of 2 years in commercial use for the UV Lamp.

A new or remanufactured part to replace the defective part will be provided without charge for the part itself, through a qualified servicing Sanuvox Technologies Inc. dealer or distributor, PROVIDED the defective part is returned to our distributor. The replacement part assumes the unused portion of the warranty

TABLE OF CONTENTS

1. GETTING STARTED

| | |
|------------------------------|---|
| 1.1 Unpacking and inspection | 3 |
| 1.2 Technical data | 4 |

2. INSTALLATION GUIDE

| | |
|-----------------------------|---|
| 2.1 Installing the unit | 5 |
| 2.2 Installing the UV Lamps | 6 |

3. OWNER'S OPERATION GUIDE

| | |
|-----------------------------------|---|
| 3.1 General Operating Information | 7 |
|-----------------------------------|---|

4. MAINTENANCE GUIDE

| | |
|-------------------------------|---|
| 4.1 Changing filters | 8 |
| 4.2 Cleaning unit | 8 |
| 4.3 Troubleshooting | 8 |
| 4.4 Electrical Wiring Diagram | 8 |

1.1. UNPACKING AND INSPECTION

BOX CONTENT INCLUDES:

- GC S300-G2 HEPA/UV AIR PURIFIER
- Power cord, 5 FT
- Plenum seal, 7.5 FT
- Screws, (16) 8 x 32 x 1/2"
- Template
- 2 Ultraviolet UVC Lamps
J Type 10.5" (266.7 mm)
- Pre-Filter
- HEPA Filter
- 2 collars
- Uninsulated flex ducting



INSTALLATION GUIDE

1.2. TECHNICAL DATA

SPECIFICATIONS

MODEL GC S300-G2

| | |
|----------------------------|-------------------------------------|
| Filtration Stage 1 | Prefilter |
| Filtration Stage 2 | HEPA filter |
| Weight | 33 Lbs. (15kg) |
| Plenum Mount Port Openings | 16" x 3.5" (406mm x 89mm) |
| Collar Mount Port Openings | 8" (203mm) Round |
| Installation type | Plenum, Floor Mount or Wall Mount** |
| Electrical Supply | 120 VAC @ 60 Hz |
| Power Consumption | 270 W |
| Certification | cCSA _{us} |
| Air flow data | 220-300 CFM |
| UV Lamp | 2 Proprietary UV-C "J" Lamps |

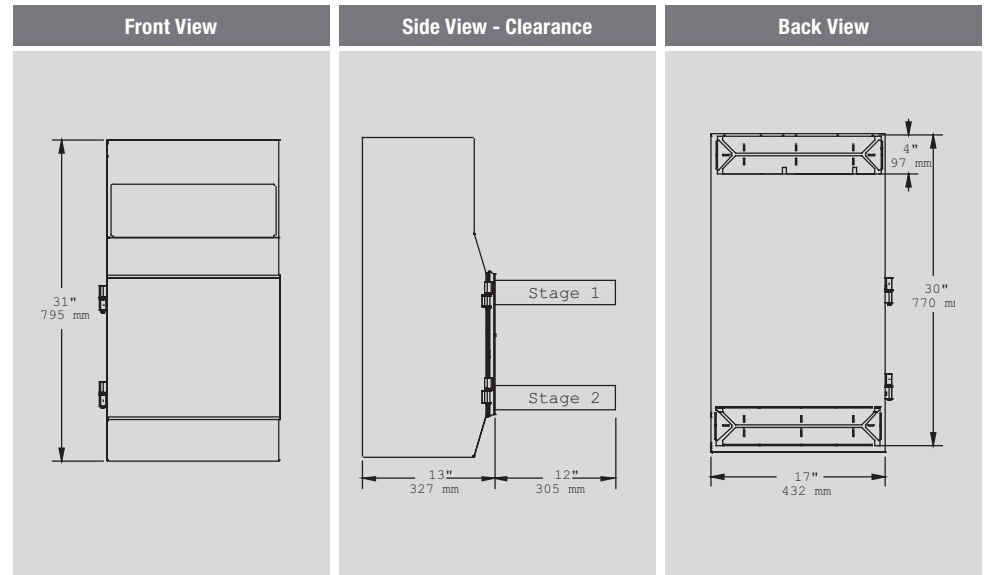
** Installation requires inlet / outlet louvers (sold individually). Part# MSCLOU1

IMPORTANT INFORMATION

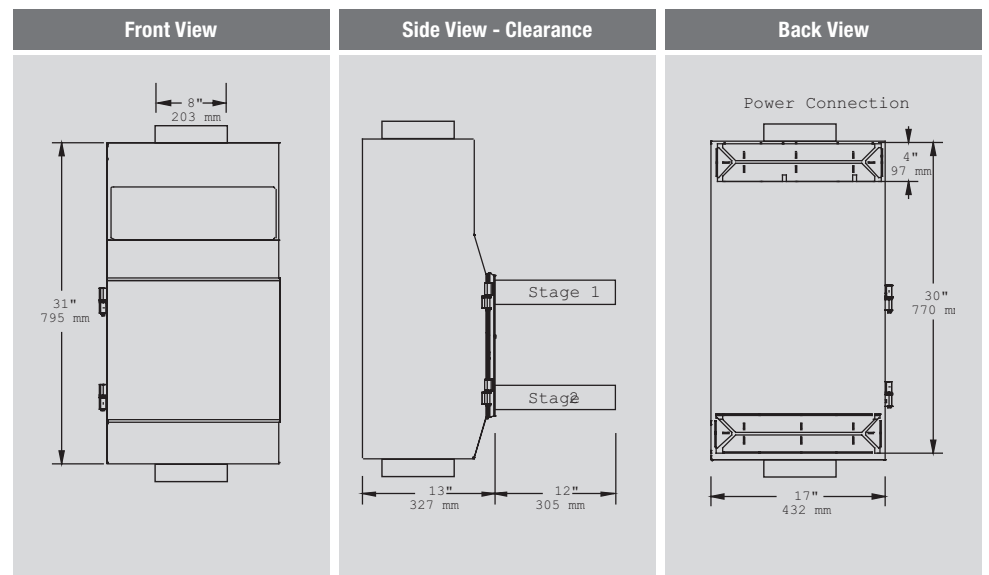
Sanuvox Technologies Inc. reserves the right to modify the product without prior notice. Please consult your local authorities as to whether the installation requires the services of a certified technician or electrician.

DIMENSIONS AND CLEARANCE INSTALLATION

RETURN AIR PLENUM INSTALLATION



RETURN AIR PLENUM AND STAND ALONE INSTALLATIONS* WITH COLLAR MOUNT KIT



INSTALLATION GUIDE

2.1 INSTALLING THE UNIT

TIPS FOR INSTALLER

It is recommended that the filtration unit has a devoted outlet with 115V. It is not recommended to connect unit with an extension cord. If no outlet is available please call an electrical contractor to have one installed.



MAKE SURE TO INSTALL FILTER ACCORDING TO AIR FLOW DIRECTION FOR MAXIMUM PERFORMANCE

Check for this symbol on each filter and it is located on the units motor plate.

STEP 1: Mount Hepa

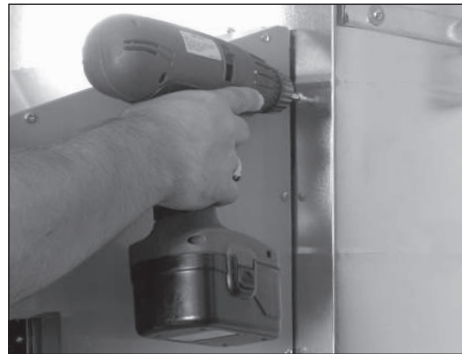


Figure 2.1a - Install unit using all supplied fastening hardware.

STEP 2: Finishing

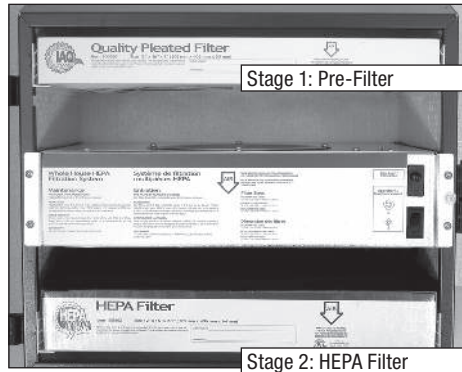


Figure 2.2a - Remove protective plastic covers from all filters and install in proper location.



Figure 2.2b - Replace door and insert power cord into the receptacle of the HEPA and the other end into a wall outlet.

INSTALLATION GUIDE

2.2 UV LAMP INSTALLATION

STEP 1:

The UV Lamps are packaged in the filter section of the GC S300-G2. Remove the first UV lamp from the packaging material. The lamp is fragile, use extreme care. Do not touch the glass on the lamp with bare hands. Use the enclosed gloves when handling the lamp. Handle lamp from the ceramic ends.



STEP 2:

Remove the screws holding the front plate of the GC S300-G2 to access the clamp assembly.



STEP 3:

Position lamp inside the aluminum enclosure. Route 4-pronged end of lamp through clamp. Clamp is tightened by moving lever perpendicular to the clamp. Connect the female plug to the lamp. The plug fits in one direction only. If the plug will not connect to the lamp, turn the plug 90 degrees.



STEP 4:

Replace the front plate with the screws removed in (2) above.



STEP 5:

Repeat the same process for the second lamp.

OWNER'S OPERATION GUIDE

3. GENERAL OPERATING INFORMATION

DOOR SWITCH



MODE SELECTOR



OPERATIONS



Maximum Filtration

Normal Filtration

SMART SYSTEM LED STATUS DISPLAY



FUNCTION

The HEPA/UV air purifier is comprised of a fan, speed selection switch, 2 stages of filtration and the cabinet enclosure system. The fan pulls air through the prefilter and pushes the same air through the HEPA filter which removes 99.97% of particles that are 0.3µm or larger in size.

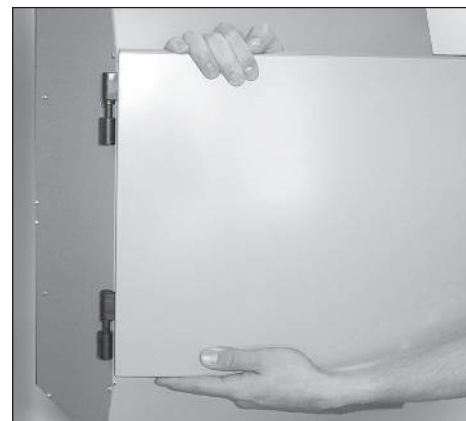
OPERATION MODE OPTIONS

The unit features two speeds of operation. The speed selection switch is located on the front of the motor assembly. At lowest speed the unit will provide 200 CFM of clean air while at highest speed, the unit will provide 300 CFM of clean air. It is recommended that the unit be operated on the highest speed at all times to maximize the benefits of the HEPA/UV air purifier.

An access door is provided at the front of the unit to permit access to the filters and speed selection switch. Opening the latch on the right side of the unit will permit the door to swing open. A safety door interlock switch cuts the power to the motor. If necessary, the door can be removed from the cabinet hinges by holding

The GC S300-G2 HEPA/UV Purifier is designed to kill bacteria, viruses, odor causing mold and fungus as well as chemical odors and VOC's that pass through the unit. The ultra-violet band light inhibits and kills mold, fungus, bacteria, viruses and microbial growth on 100% of the air flowing through the unit. The actual percentage of destruction depends on the velocity of the air, and the pollutant(s) treated.

the top part of the door with one hand and gently tapping on the bottom edge of the door with the other hand to release the door from its hinges.



RECOMMENDED OPERATION

The return plenum mount model operates in conjunction with your forced air HVAC system. A forced air distribution system continuously circulates the air inside your home. The HEPA/UV air purifier operates on the principal of bypass filtration, which means that a portion of the air being returned to the furnace is filtered on each pass. Over time all the air in the home will pass through the unit. It is recommended that the furnace blower be in operation whenever the system is in operation.

For stand-alone attic installation, the HEPA/UV air purifier must be operated continuously whenever a part of the system is located in an unconditioned space to avoid condensation in the ductwork when the temperature is below freezing (32°F, 0°C).

Maintenance of the unit should be performed at regular intervals to keep the benefits of the HEPA/UV air purifier.

LED DISPLAY

The UV Lamp will function when the blower is in operation. There are two LED indicators on the front panel. The Amber LED indicates that the UV Lamp is on; the Red LED indicates that

the Ballast is functioning. If the Ballast (Red) LED is on, and the Lamp (Amber) LED is off, the UV lamp is not functioning. If both LED lights are off, the ballast is not functioning.

INSTALLATION GUIDE

4. GENERAL MAINTENANCE INFORMATION

WHEN SHOULD I SERVICE MY UNIT? SERVICE AND ACCESSORIES

Detailed maintenance information is located on the front decal of motor plate.

PRE-FILTER

Replace filter every 3 to 6 months or as needed.

HEPA FILTER

Replace filter every 2 to 5 years or as needed. Check regularly to maintain maximum performance from your HVAC system. For replacement filters, contact your local HVAC contractor.

UV LAMP

Replace lamps every 2 years. Lamps are available through your local HVAC contractor.

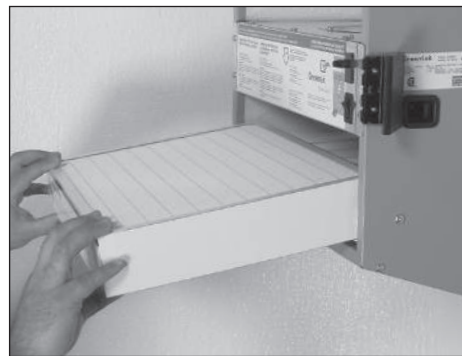
INSIDE THE UNIT

Once a year or as needed, clean the interior of the unit (Wall and Motor Plate) with a mild and non-abrasive soap. It is recommended to use products that are environmentally friendly.

 **IMPORTANT: ALWAYS UNPLUG UNIT BEFORE SERVICING**

4.1 CHANGING FILTERS

After opening the unit's door, grasp both edges of filter and pull with equal force to slide out the filter.



4.2 CLEANING

Once a year or as needed, clean the interior of the unit (Wall and motor plates) using mild non-abrasive soap and water. It is recommended to use products that are environmentally friendly.



4.3 TROUBLESHOOTING

PROBLEM

Unit does not operate.

SUGGESTIONS

- Is power cord fully inserted in the unit's connector?
- Is outlet powered?
- Is door interlock switch operating?

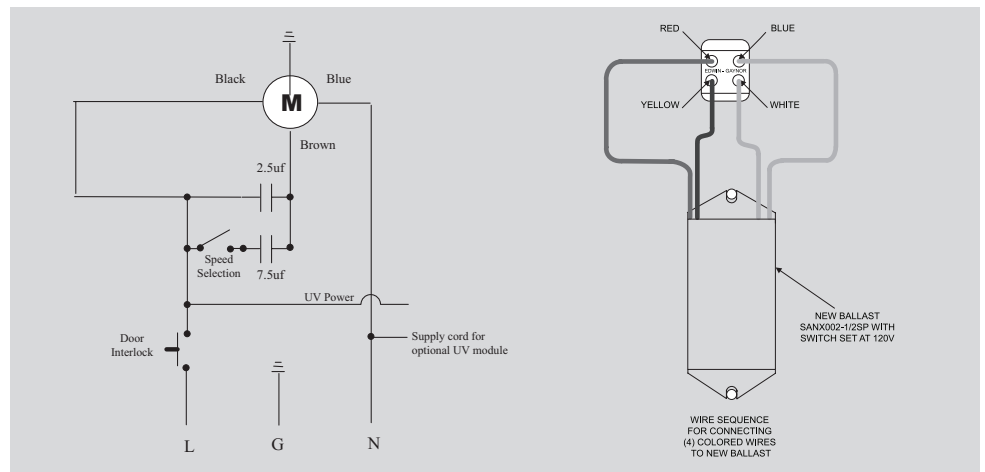
Unit operates only on one speed.

- Possible loose wire inside electrical box, contact your local contractor.

Unit vibrates.

- Check for excessive dust buildup or missing balancing weight on the impeller wheel.

4.4 ELECTRICAL WIRING DIAGRAM



GC S300-G2

LIMITED PARTS AND LAMP WARRANTY

3-YEAR WARRANTY — Except for the UV Lamp and Ballast, this Sanuvox Technologies Inc. product is warranted to be free from defects in material and workmanship under normal use and maintenance for a period of three years from the date of original installation. A new or remanufactured part to replace the defective part will be provided without charge for the part itself, through a qualified servicing Sanuvox Technologies Inc. dealer or distributor, PROVIDED the defective part is returned to our distributor. The replacement part assumes the unused portion of the warranty.

COMMERCIAL LAMP WARRANTY — The Sanuvox Technologies Inc. Ultra-Violet Lamps are warranted to be free from defects and operate for 2 years after installation, under normal use and maintenance in a commercial application. A new lamp to replace the defective lamp will be provided without charge for the part itself, through a qualified servicing Sanuvox Technologies Inc. dealer or distributor, PROVIDED the defective part is returned to our distributor. The replacement part assumes the unused portion of the warranty.

3-YEAR BALLAST WARRANTY — The Sanuvox Technologies Inc. Electronic Ballast is warranted to be free from defects and operate for three (3) years after installation, under normal use and maintenance in a residential or commercial application. A new ballast to replace the defective ballast will be provided without charge for the part itself, through a qualified servicing Sanuvox Technologies Inc. dealer or distributor, PROVIDED the defective part is returned to our distributor. The replacement part assumes the unused portion of the warranty.

THIS WARRANTY DOES NOT INCLUDE ANY ADDITIONAL LABOR ALLOWANCE OR OTHER COSTS incurred for diagnosis, repairing, removing, installing, shipping, servicing, or handling of either defective parts or replacement parts. SUCH COSTS MAY BE COVERED BY a separate warranty provided by the installer.

LIMITATIONS OF WARRANTIES — ALL IMPLIED WARRANTIES (INCLUDING IMPLIED WARRANTIES OF MERCHANTABILITY) ARE HEREBY LIMITED IN DURATION TO THE PERIOD FOR WHICH THE LIMITED WARRANTY IS GIVEN. THE EXPRESSED WARRANTIES MADE IN THIS WARRANTY ARE EXCLUSIVE AND MAY NOT BE ALTERED, ENLARGED, OR CHANGED BY ANY DISTRIBUTOR, DEALER, OR OTHER PERSON WHATSOEVER.

SANUVOX WILL NOT BE RESPONSIBLE FOR:

1. Normal maintenance as outlined in the installation and servicing instruction or owner's manual.
2. Damage or repairs required as a consequence of faulty installation or application by others.
3. Failure to start due to voltage condition, blown fuses, open circuit breakers or other damages due to the inadequacy or interruption or electrical service.
4. Damage or repairs needed as a consequence of any misapplication, abuse, improper servicing, unauthorized alteration, or improper operations.
5. Damage as a result of floods, winds, fires, lightning, accidents, corrosive atmosphere, or other conditions beyond the control of Sanuvox Technologies Inc.
6. Parts not supplied or designated by Sanuvox Technologies Inc.
7. Sanuvox Technologies Inc. products installed outside the continental USA, Alaska, Hawaii, and Canada.
8. ANY SPECIAL INDIRECT OR CONSEQUENTIAL PROPERTY OR COMMERCIAL DAMAGE OF ANY NATURE WHATSOEVER. Some states do not allow the exclusion of incidental or consequential damages, so the above limitation may not apply to you.

Model number: _____

Date of installation: _____

Name of owner: _____

Unit serial number: _____

Installed by: _____

Address of installation: _____

SANUVOX

Sanuvox Technologies Inc.
146, rue Barr, St-Laurent, QC H4T 1Y4 Canada
T. 1-888-SANUVOX F. 1-888-582-6475
www.sanuvox.com info@sanuvox.com

SANUVOX

Sanuvox Technologies Inc.

146, Barr Street, St-Laurent, QC H4T 1Y4 Canada

T. 1-888-SANUVOX ■ F. 1-514-382-6475 ■ www.sanuvox.com ■ info@sanuvox.com